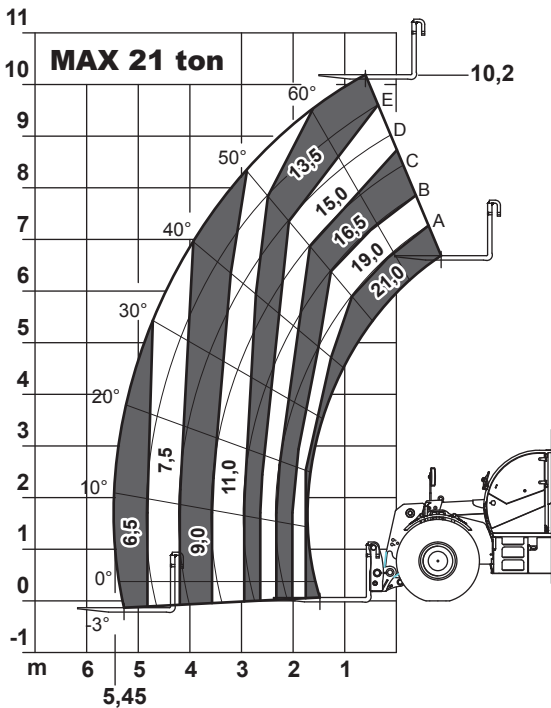


DT210



AXB1471/105A



EN1459